



# DRY FEEDER MF

BOX FEEDER MF WITH THE TROUGH  
AND FRONT MADE OF INOX



FOR FATTENERS



FOR WEANERS

- | Front made of INOX 400
- | Main body made of strong material PE
- | Trough made of INOX 304
- | Precise, multi-staged mechanism of regulation
- | Great resistance
- | Excellent value for money



PCNet

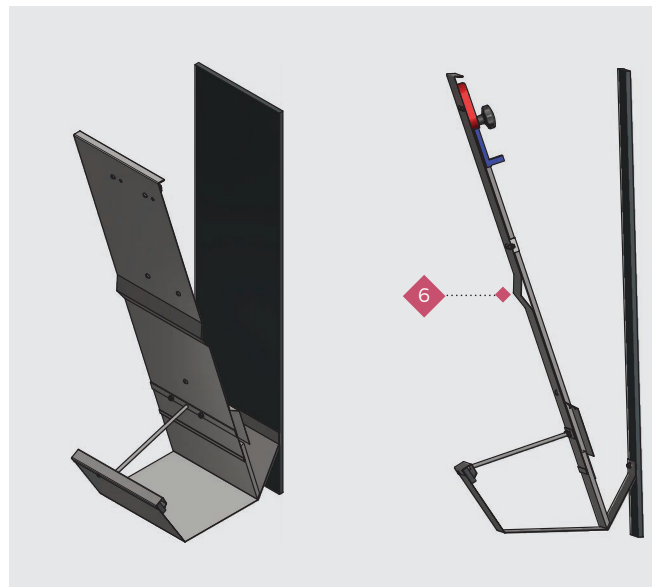




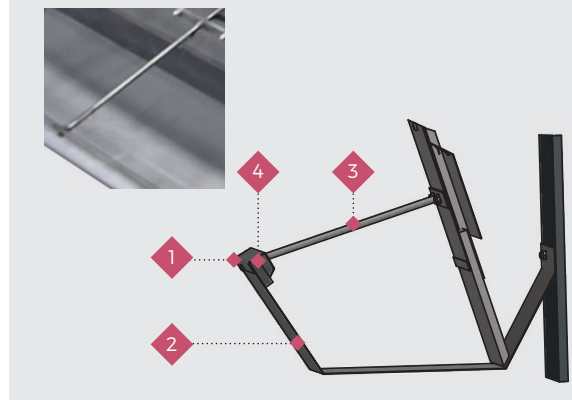
- 1 Box feeder MF
- 2 Extended front edge of trough, made of INOX, preventing from excessive spilling out of the feed
- 3 Trough made of INOX 304
- 4 Metal bar separating the feeding places
- 5 Metal frame clamped on the plate of trough (no feed stuck)
- 6 Additional down separation in feeders for weaners, which prevents the small animals from getting trapped (OPTION)
- 6 Additional reinforcement of front wall

## TECHNICAL DATA

Option	Model	Height [mm]	Width total included the sides walls [mm]	Width inside the trough [mm]	Depth [mm]	Height of the trough [mm]
SINGLE	<b>FATTNENERS</b>					
	AP1T MF	990	317	295	400	166
	AP2T MF	990	612	590	400	166
	AP3T MF	990	912	890	400	166
	AP4T MF	990	1212	1190	400	166
	AP5T MF	990	1472	1450	400	166
	AP6T MF	990	1797	1775	400	166
	<b>WEANERS</b>					
	AP2W MF	740	408	390	310	134
	AP3W MF	740	608	590	310	134
	AP4W MF	740	808	790	310	134
	AP5W MF	740	977	959	310	134
	AP6W MF	740	1208	1190	310	134
	AP7W MF	740	1398	1380	310	134
DOUBLE	<b>FATTNENERS</b>					
	AP1T/2 MF	990	317	295	800	166
	AP2T/2 MF	990	612	590	800	166
	AP3T/2 MF	990	912	890	800	166
	AP4T/2 MF	990	1212	1190	800	166
	AP5T/2 MF	990	1472	1450	800	166
	AP6T/2 MF	990	1797	1775	800	166
	<b>WEANERS</b>					
	AP2W/2 MF	740	408	390	620	134
	AP3W/2 MF	740	608	590	620	134
	AP4W/2 MF	740	808	790	620	134
	AP5W/2 MF	740	977	959	620	134
	AP6W/2 MF	740	1208	1190	620	134
	AP7W/2 MF	740	1398	1380	620	134



VERSION FOR FATTENERS



VERSION FOR WEANERS

