



# POULTRY CONTAINERS

## SOLID STEEL CONSTRUCTION



- | Made of structural steel with high mechanical strength.
- | The container is protected against corrosion by the hot-dip galvanizing process.
- | Robust modules for holding drawers.
- | Dimensions:

	Length	Width	Height
<b>OPTION 1</b> 12 drawers	2.48 m	1.16 m	1.28 m
<b>OPTION 2</b> 15 drawers	2.48 m	1.16 m	1.5 m

OTHER DIMENSIONS ON REQUEST

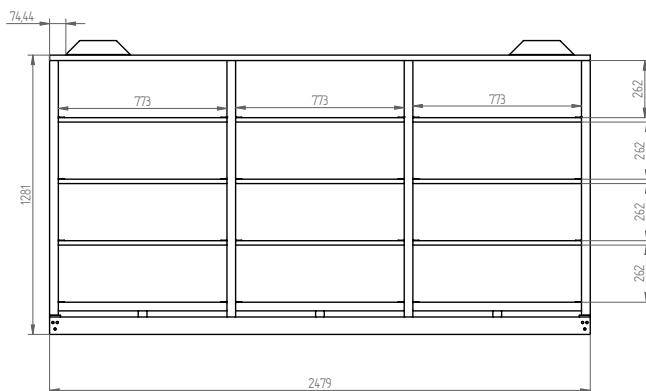
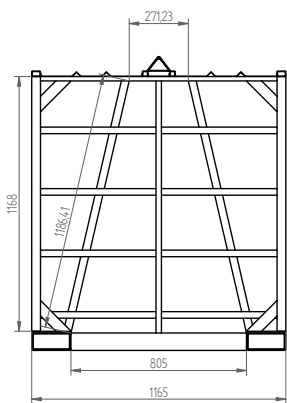
- | Thanks to the use of containers, no damage is noted during the loading and unloading of animals, which allows to eliminate transport falls.
- | Simple unloading with a forklift or telescopic loader significantly shortens the unloading time.
- | Quick and easy cleaning.
- | Technological hole plugs - makes easy to maintain hygiene.
- | Triangular locks on the roof (top) of the cage - stable stacking the cages on top of each other, without the risk of shifting.
- | The combination of L profiles and oblique square profiles enables quick insertion of the plastic cage and its effective locking in a fixed position.



## WE OFFER INDIVIDUAL SOLUTIONS ADAPTED TO THE NEEDS AND CAPABILITIES OF THE INVESTOR

### OPTION 1

12 drawers



### OPTION 2

15 drawers

