



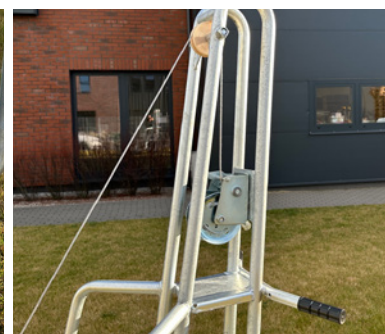
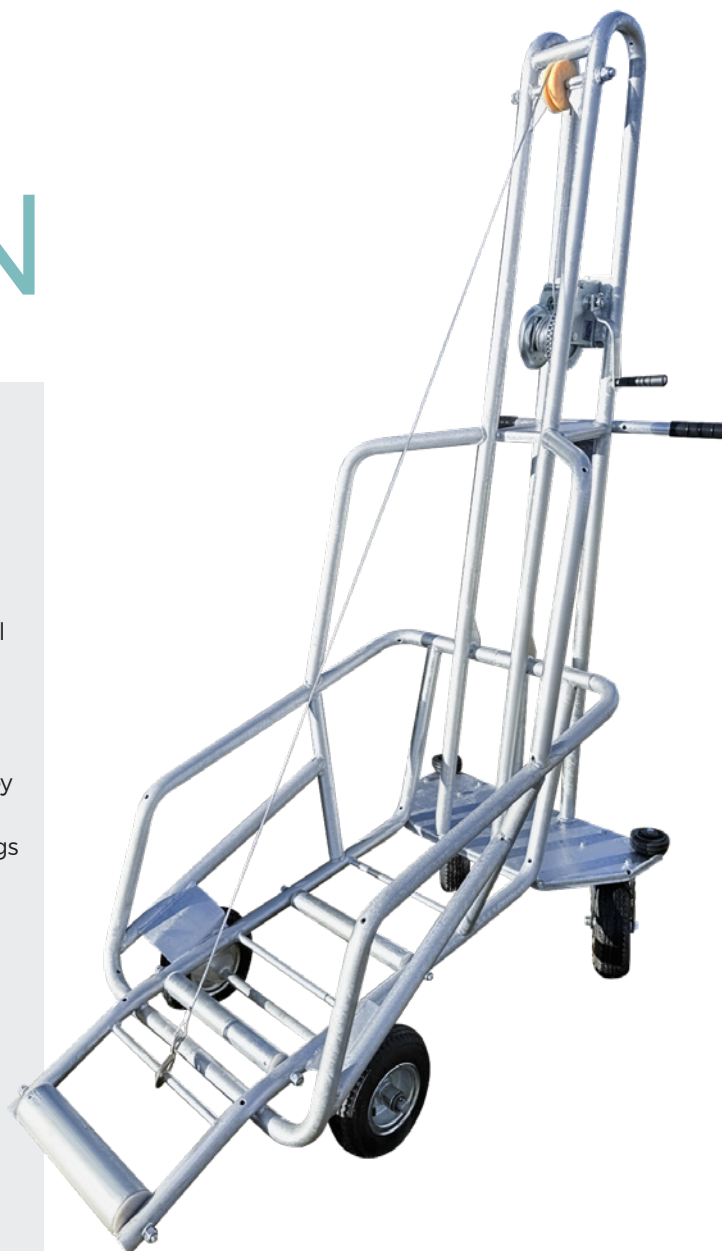
CARCASS WAGON

SOLID AND DURABLE CONSTRUCTION:

- | made of high quality galvanized steel
- | equipped with 22 cm wheels, they facilitate the transport of carrion
- | the size of the trolley allowing passage inside the building between pens as well as outside buildings - for example for transport
- | easy to clean
- | very maneuverable - the size of the trolley allowing passage inside the building between pens as well as outside buildings - for example for transport

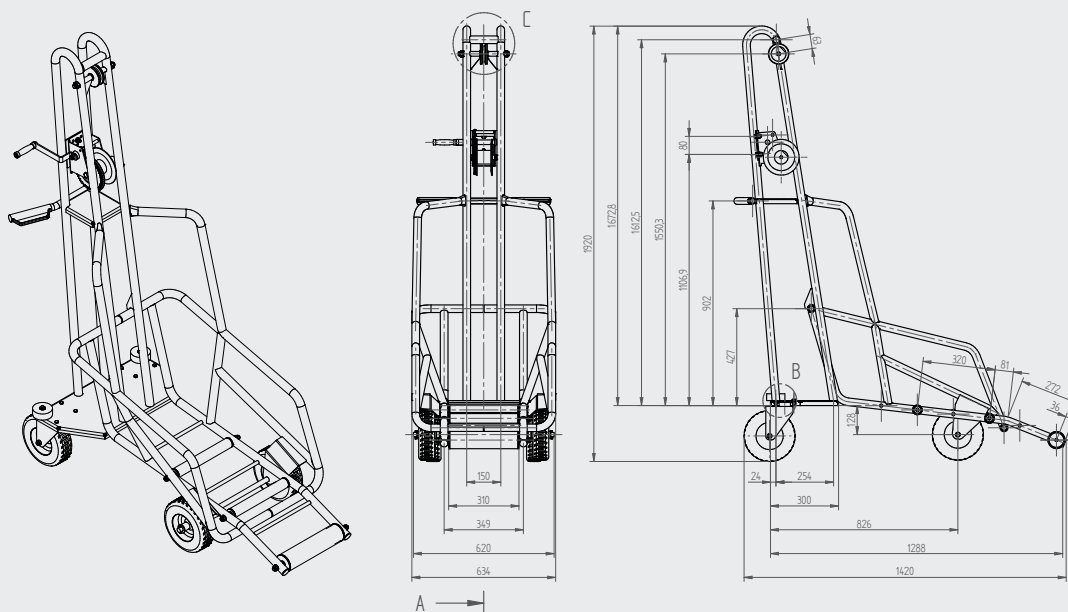
UNIQUE BENEFITS:

- | hygienically optimal carcass disposal
- | easy loading with a manual crank winch
- | very ergonomic use
- | solid and durable construction
- | suitable for animals **up to 400 kg**



TECHNICAL DATA:

Product code:
 G.A.I-01129.00.00.000.A
Height: 190 cm
Width: 63 cm
Length: 147 cm
Wheels: 4 x ϕ 22 cm
 (2 x swivel),
 pumped
Stroller weight: 60 kg
Carriage capacity: 400 kg



CARCASS WAGON - small

- | suitable for animals **up to 120 kg**
- | solid and durable construction made of galvanized steel
- | equipped with wheels that facilitate the transport of the carcass
- | the size of the trolley allows you to transport the carcass both inside the building between the pens and outside the buildings
- | the manual winch helps to place the dead animal on the wagon and reduces the effort of the farmer

TECHNICAL DATA:

