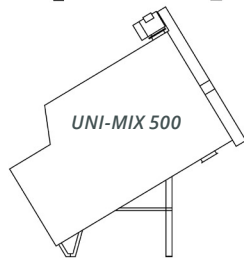
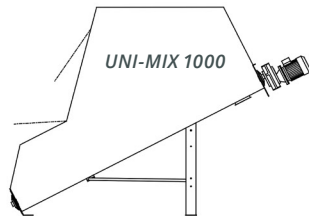
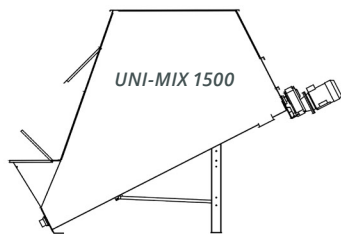




## SKIOLD INCLINED MIXER



SKIOLD MAKES THE DIFFERENCE!

### **SKIOLD UNI-MIX INCLINED MIXER 500/1000/1500**

- Also capable of mixing small quantities
- Easily accessible concentrate hopper
- Efficient - even with fat and molasses
- Suitable for placing on load cells
- Sturdy construction with gear motor drive
- High mixing accuracy - also in moist materials

# SKIOLD UNI-MIX 500/1000/1500

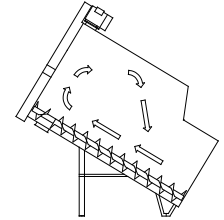
The diagonal mixer is suitable for accurate mixing of almost any kind of raw material in the form of meal or granulate. It is possible to add liquid raw material such as fat, molasses or oil during the mixing process. The mixing principle based on a large, slowly

rotating bottom auger is gentle to the structure of the raw material which makes the diagonal mixer suitable for mixing of feed for cattle containing crushed material. Mixing of CCM is possible.

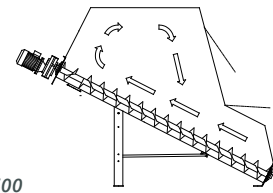
## TECHNICAL SPECIFICATIONS

	UNI-MIX 500	UNI-MIX 1000	UNI-MIX 1500
Mixing capacity (t/h)	1	3	4,5
Batch size (dry ingredients, kg)	500	1000	1500
Emptying time (minutes)	6-8	8-10	10-12
Mixing time (dry ingredients, minutes)	10-15	10-15	10-15
Mixing time (liquid ingredients < 3%, minutes)	15-20	15-20	15-20
Mixing accuracy	1:10.000	1:100.000	1:100.000
Motor size (kW)	2,2	4	5,5
Weight empty mixer (kg)	230	440	465
Liquid max.	4%	6%	6%
Mixer angle	30°	27°	27°
Transmission	Belt, chain drive	Gear motor	Gear motor

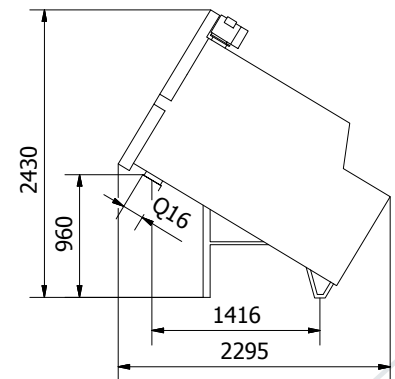
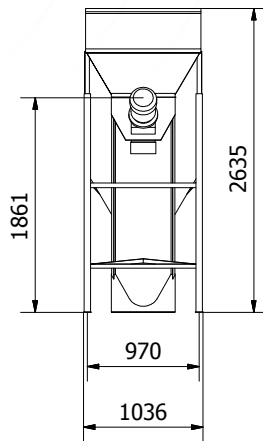
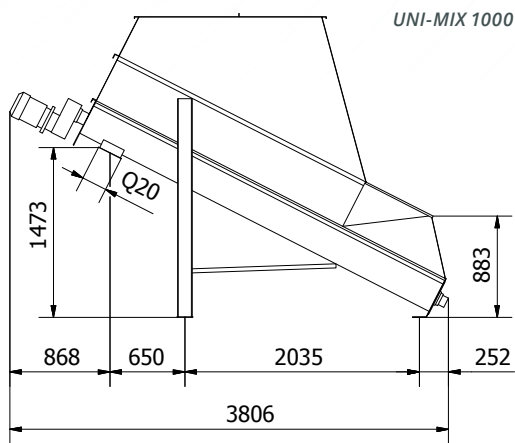
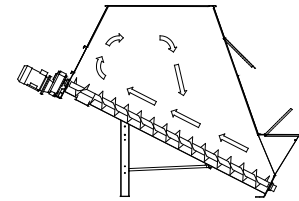
UNI-MIX 500



UNI-MIX 1000



UNI-MIX 1500



UNI-MIX 500

